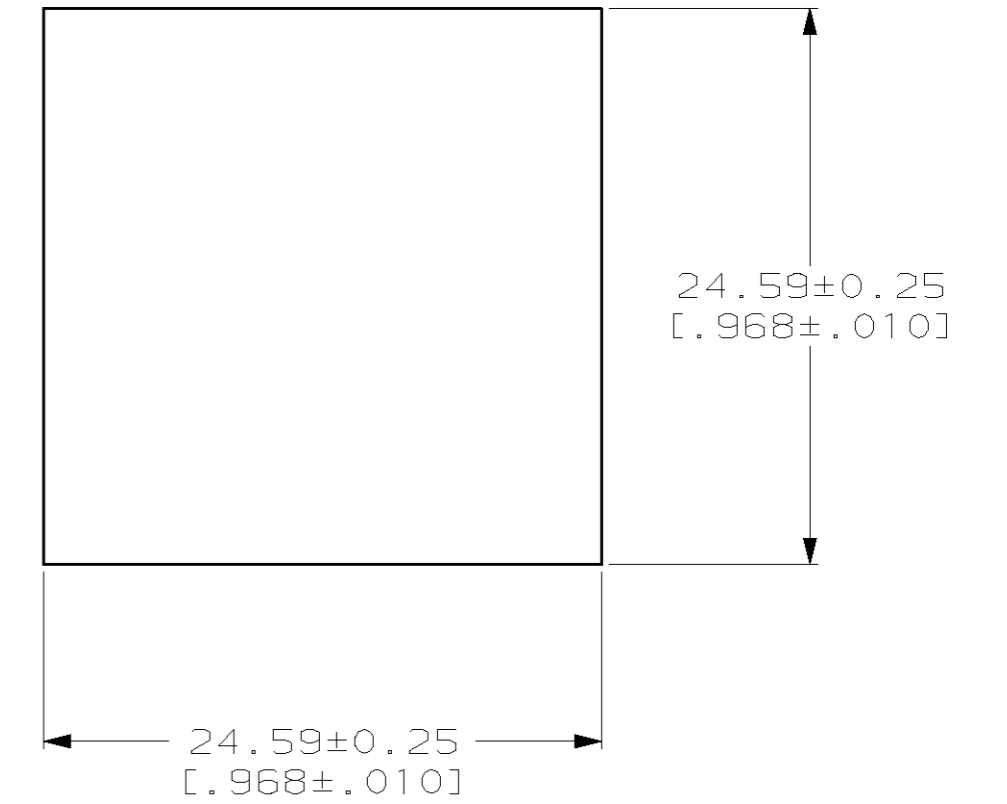
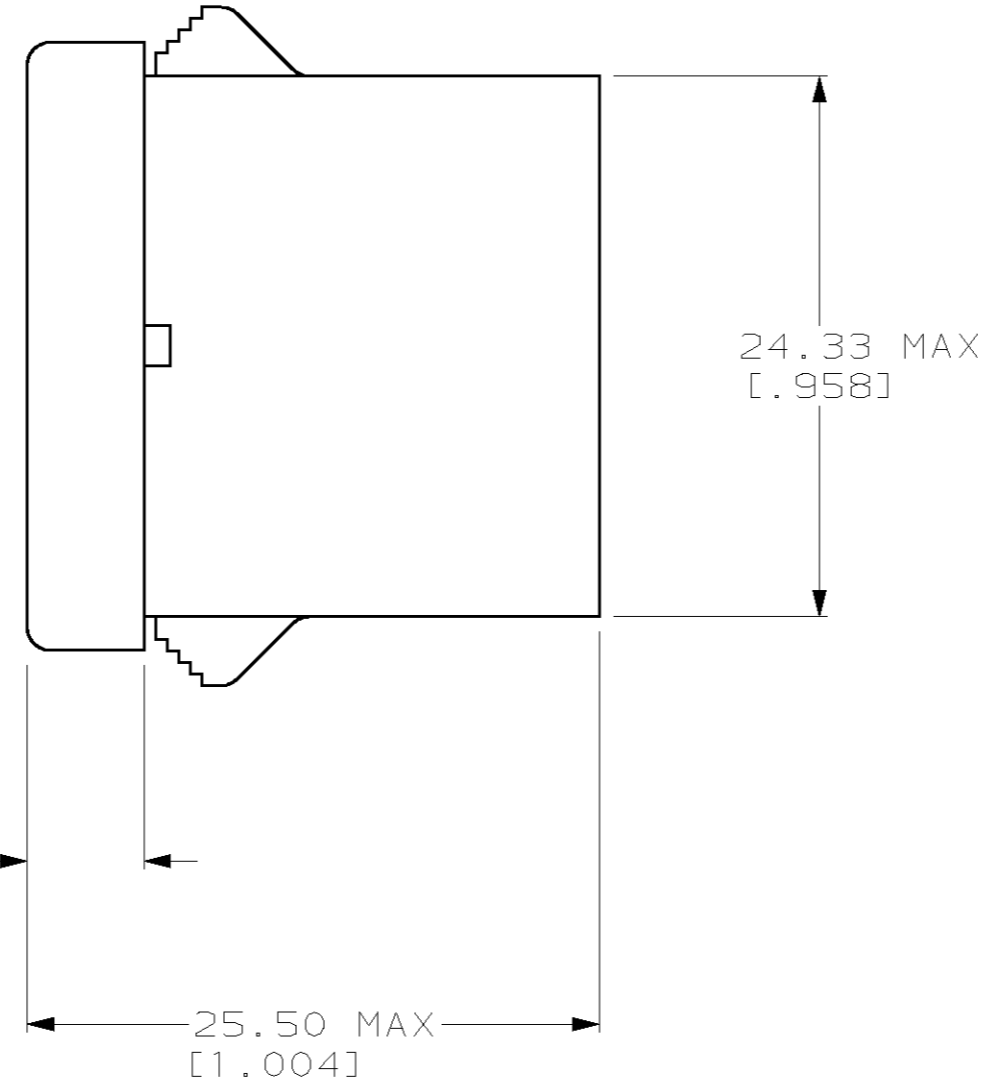
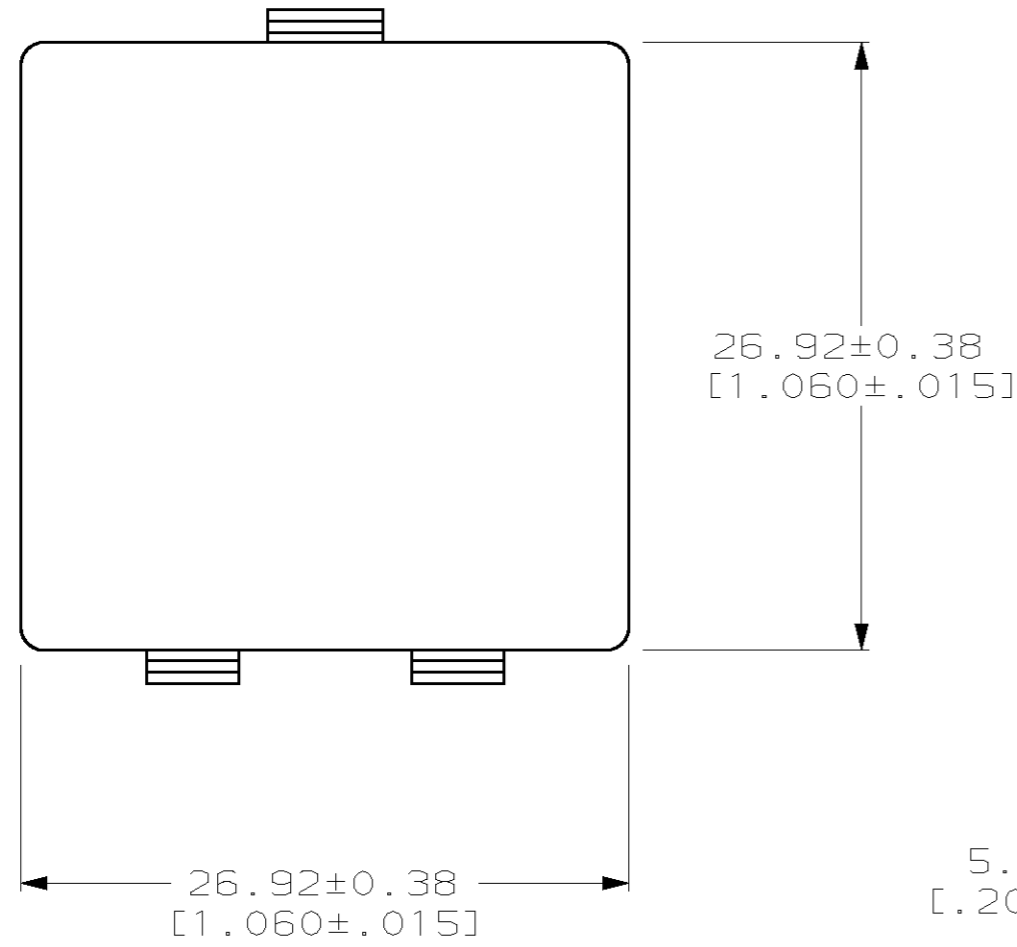
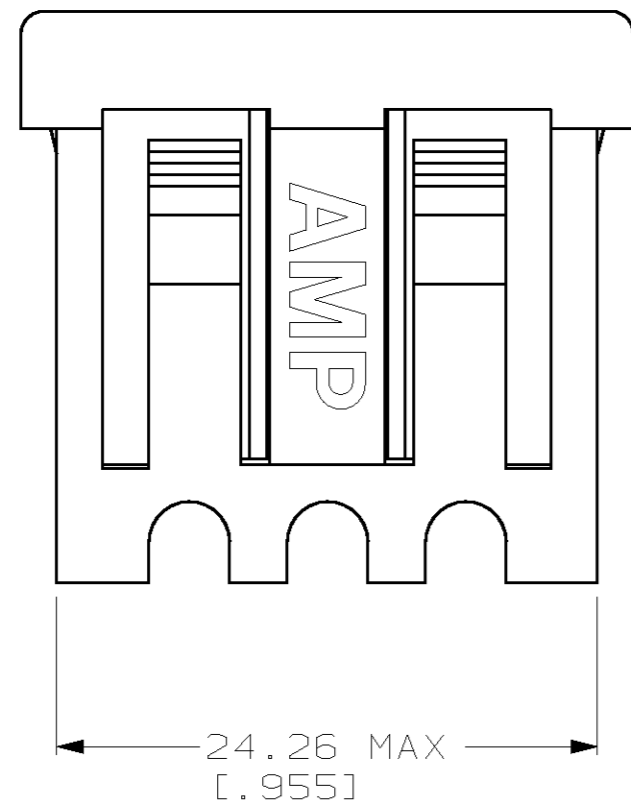


THIS DRAWING IS UNPUBLISHED. RELEASED FOR PUBLICATION .19
 BY AMP INCORPORATED. ALL RIGHTS RESERVED.

LOC	DIST	REVISIONS			
P	LTR	DESCRIPTION	DATE	DWN	APVD
BD	39	0	RLSE NPR 5743	13 AUG 99	-



RECOMMENDED PANEL CUTOUT
 PANEL THICKNESS
 0.76-1.78
 [.030-.070]



1 NYLON, UL 94V-0 RATED, BLACK.

796285-1
 PART NUMBER

THIS DRAWING IS A CONTROLLED DOCUMENT.		DWN S. WELDON 13AUG1999	AMP Incorporated Harrisburg, PA 17105-3608	
DIMENSIONS: mm		CHK R. BUCHTER 13AUG1999	AMP PANEL PLUG	
TOLERANCES UNLESS OTHERWISE SPECIFIED:		APVD R. BUCHTER 13AUG1999		
0 PLC ±-		PRODUCT SPEC	NAME	
1 PLC ±-		APPLICATION SPEC	SIZE CAGE CODE DRAWING NO RESTRICTED TO	
2 PLC ±-		WEIGHT	A2 00779 C- 796285	
3 PLC ±-		CUSTOMER DRAWING	SCALE 4:1 SHEET 1 OF 1 REV 0	
4 PLC ±-				
ANGLES ±-				
FINISH -				

796285

A